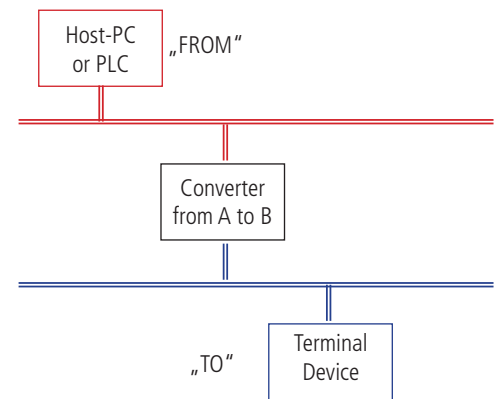


# CONVERTERS

Converters connect devices that have different hardware and/or software interfaces. The input side of the converter corresponds to the master interface of the host PC, PLC or controller. The output side corresponds to the slave interface of a connected terminal device or fieldbus. Data conversion from one protocol to the other is performed by the firmware of the converter.

Example: For connecting a frequency inverter with RS-485 interface to an industrial PC or a PLC with Ethernet interface, a converter „from“ Ethernet „to“ RS-485 converter is required.



FROM \ TO		SERIAL					USB	ETHERNET			
		RS-232	RS-485	RS-485 Modbus/RTU	CAN	PROFIBUS	USB	Ethernet Modbus/TCP	PROFINET	MQTT	OPC-UA
SERIAL	RS-232	I-7551	I-7520-XX	-	I-7530	-	-	-	-	-	-
	RS-485	I-752X	I-7510 I-7514	-	I-7530	-	-	-	-	-	-
	RS-485 Modbus/RTU	-	-	I-7510 I-7514	-	-	-	-	-	-	-
	CAN	-	-	I-7232 I-7242	I-7531 I-7532	-	-	-	-	-	-
	PROFIBUS	I-7550	I-7550	GW-7552	-	-	-	GW-7553 I-7550	-	-	-
USB	USB	I-7561 USB-2514 Adapter	I-7561 I-7563 Adapter	-	I-7565-XX	-	-	-	-	-	-
ETHERNET	Ethernet Modbus/TCP	I-7188EX	I-7188EX	µPAC-7186	I-7540	-	-	Switch	-	-	-
	PROFINET	I-7580	I-7580	GW-7662	-	-	-	GW-7663	-	-	-
	MQTT	-	-	UA-5231 WISE-5231	-	-	-	UA-5231	-	-	-
	OPC-UA	-	-	UA-5231 WISE-5231	-	-	-	UA-5231	-	-	-